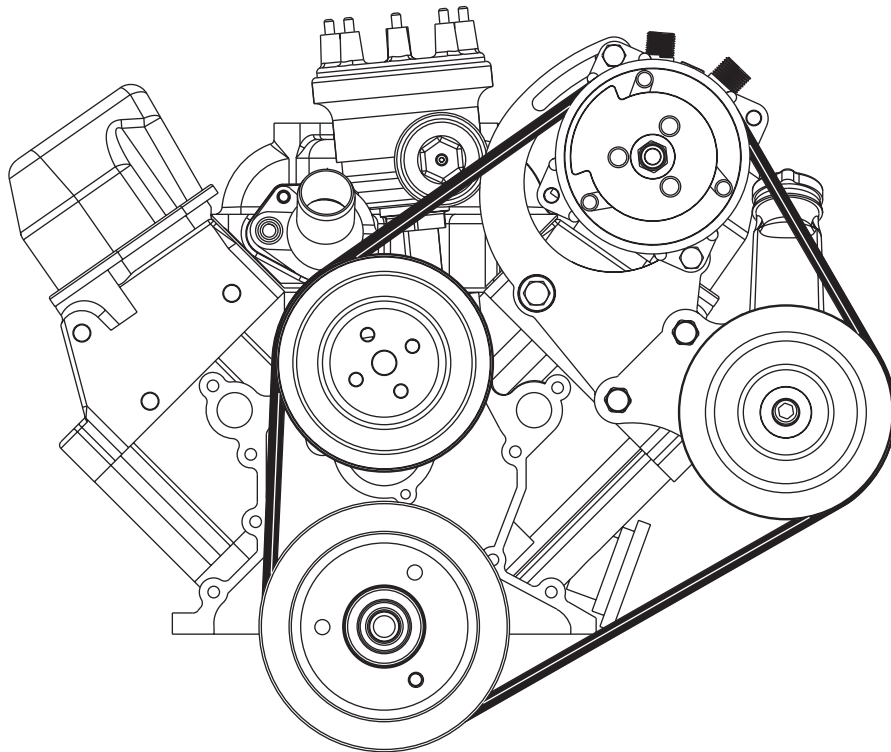




Ford 289-302W

Power Steering Bracket Kit
Driver Side
131108

For Use with Compressor Bracket Kit 131107 Only



18865 Goll St. San Antonio, TX 78266
Phone: 800-862-6658
Sales: sales@vintageair.com
Tech Support: tech@vintageair.com
www.vintageair.com



Table of Contents

1. Cover
2. Table of Contents
3. Packing List/Parts Disclaimer
4. Power Steering Bracket Installation
Figures 1 & 2
5. Power Steering Pump Installation
6. Belt Routing
7. Packing List

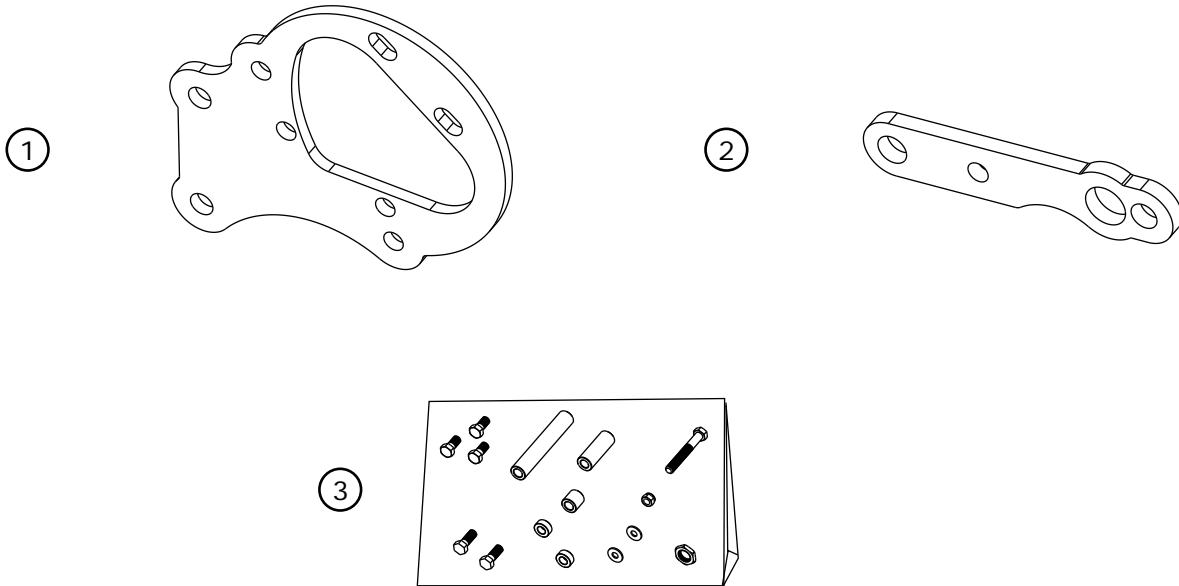


Packing List: Ford 289-302W

Driver-Side Power Steering Bracket Kit (131108)

No.	Qty.	Part No.	Description
1.	1	136025	Driver-Side Power Steering Front Bracket
2.	1	136029	Driver-Side Power Steering Rear Bracket
3.	1	191033	Driver-Side Power Steering Bracket Hardware Kit

**** Before beginning installation, open all packages and check contents of shipment. Please report any shortages directly to Vintage Air within 15 days. After 15 days, Vintage Air will not be responsible for missing or damaged items.**





NOTE: Before tightening bolts, assemble all brackets loosely to engine. This will ensure proper alignment of all brackets.

Power Steering Bracket Installation

1. Replace (1) 5.380" long spacer (provided with compressor bracket kit) (See Figure 1, below) with (1) 4.375" long spacer and (1) .875" long spacer (provided with power steering bracket kit) (See Figure 2, below). Install front and rear power steering brackets as shown.

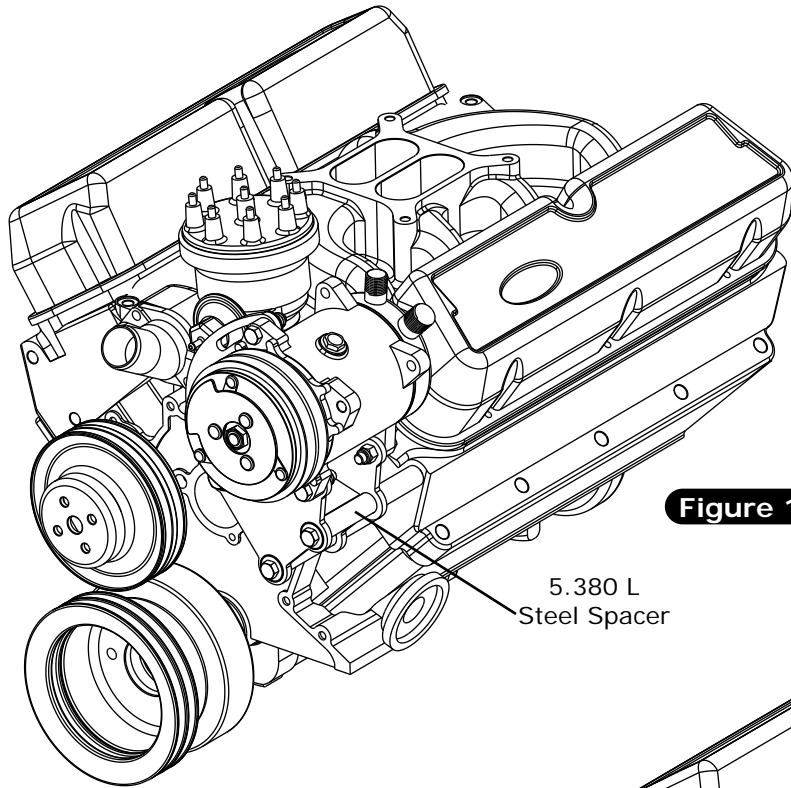


Figure 1

5.380 L
Steel Spacer

NOTE: Do not tighten bolts until power steering pump is installed on front and rear brackets

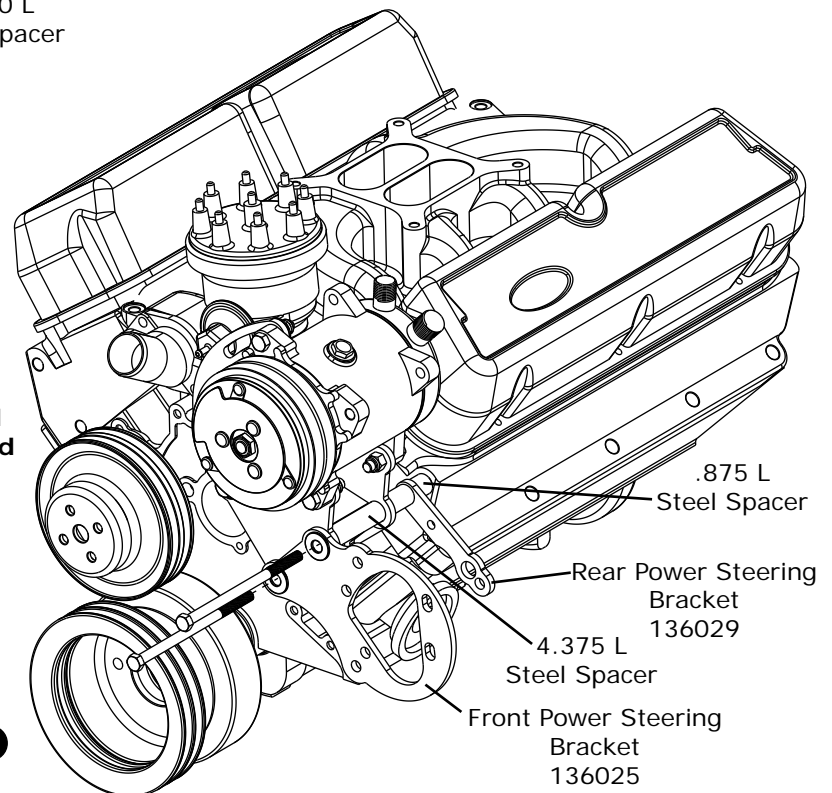


Figure 2

.875 L
Steel Spacer

Rear Power Steering
Bracket
136029

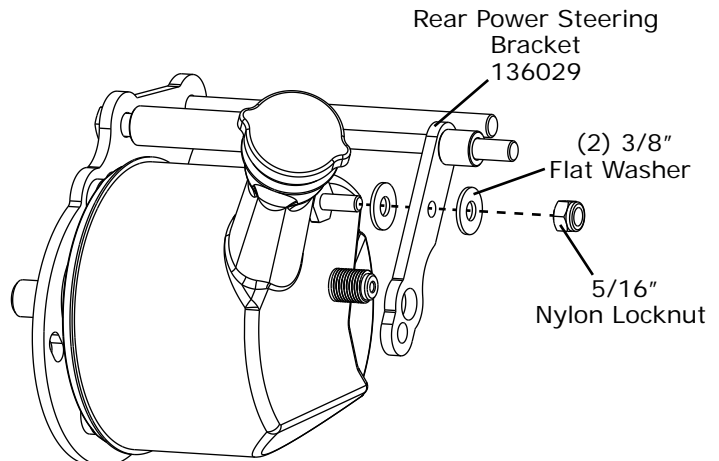
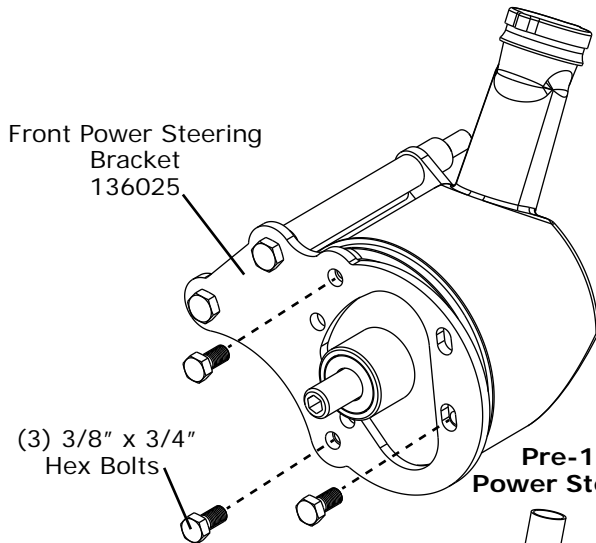
4.375 L
Steel Spacer

Front Power Steering
Bracket
136025

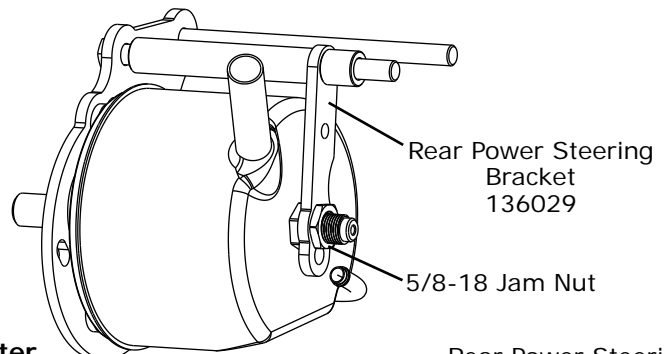
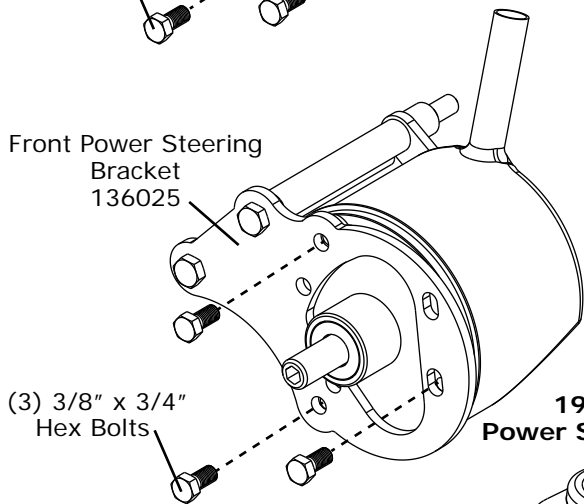


Power Steering Pump Installation

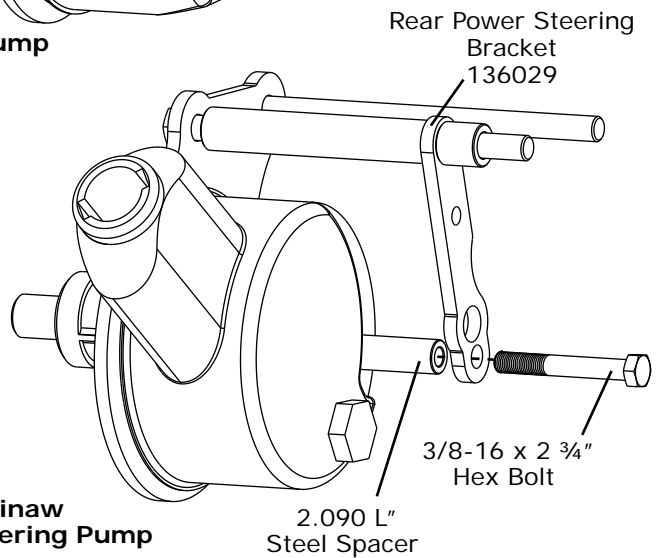
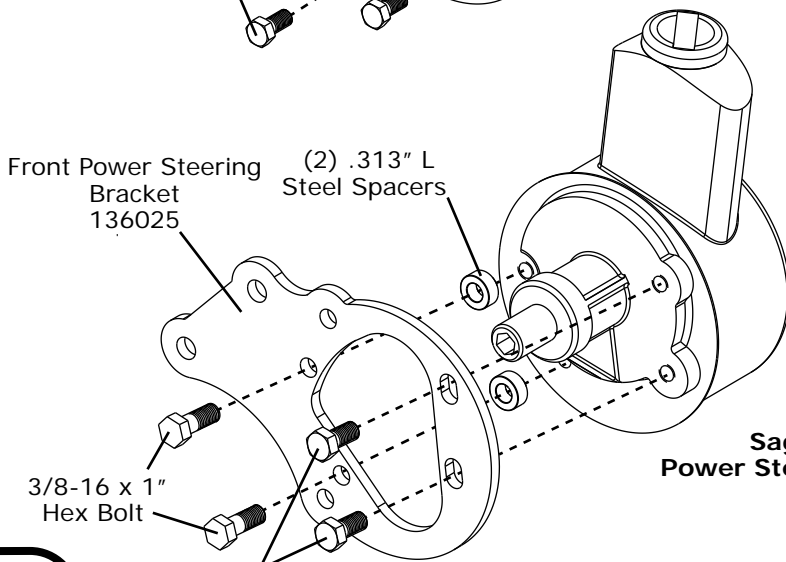
1. Determine which power steering pump is being used, then install power steering pump to front and rear power steering brackets as shown below.



Pre-1967 Ford Power Steering Pump



1967-Later Power Steering Pump

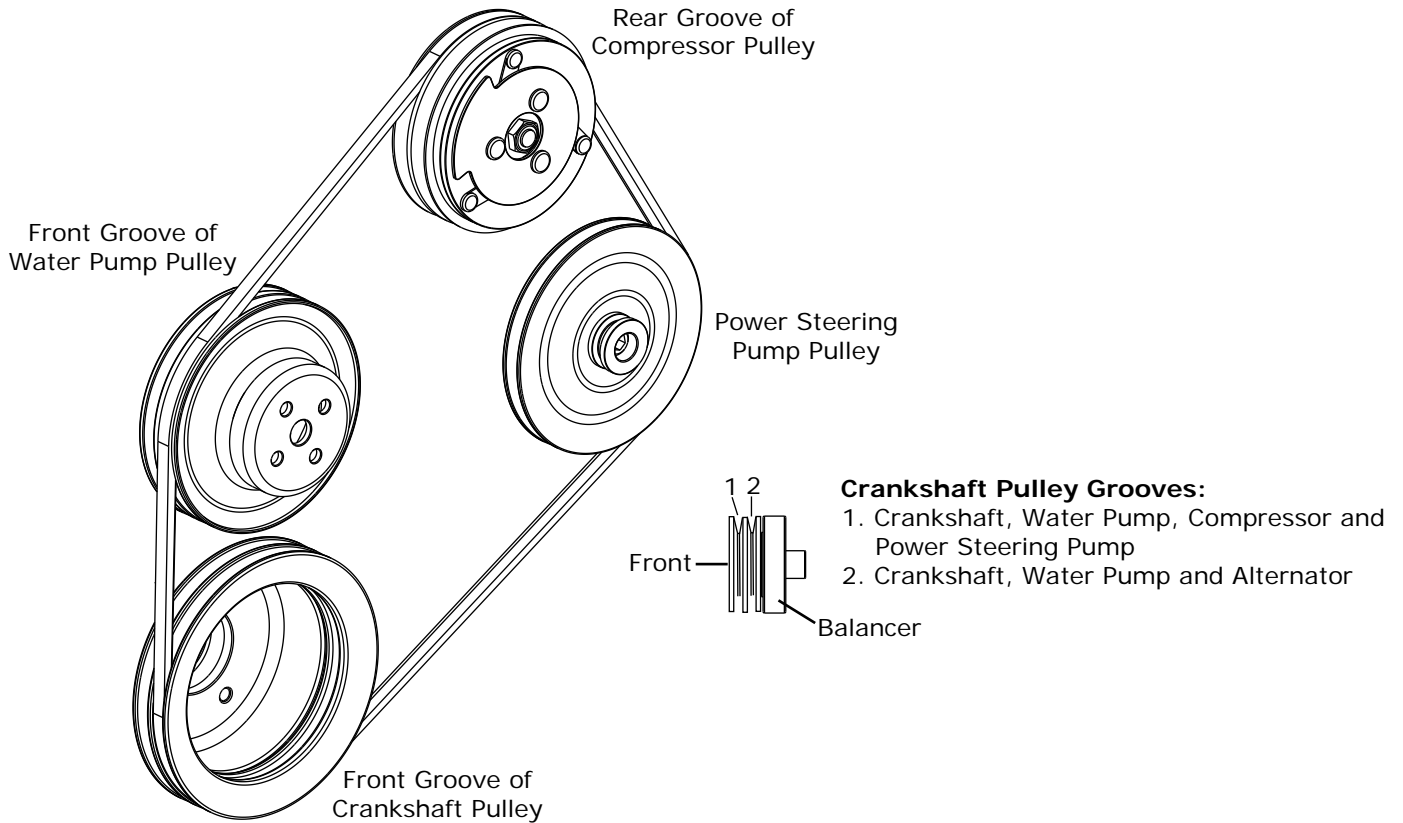


Saginaw Power Steering Pump

5 3/8" x 3/4" Hex Bolt

Belt Routing

1. Route belts as shown below. Vintage Air recommends using only Dayco, Gates or Goodyear brand reinforced V-belts with this power steering bracket kit. Power Steering belt length of 53" is recommended. **NOTE: This can vary with the diameter of your water pump, crankshaft and power steering pump pulleys.**





Packing List: Ford 289-302W Driver-Side Power Steering Bracket Kit (131108)

No.	Qty.	Part No.	Description	
1.	1	136025	Driver-Side Power Steering Front Bracket	_____
2.	1	136029	Driver-Side Power Steering Rear Bracket	_____
3.	1	191033	Driver-Side Power Steering Bracket Hardware Kit	_____

Checked By: _____
 Packed By: _____
 Date: _____

